

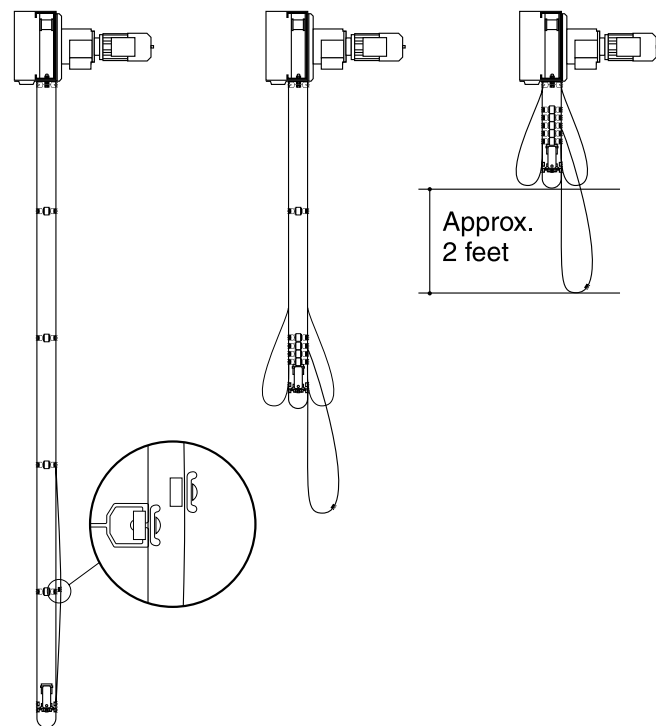
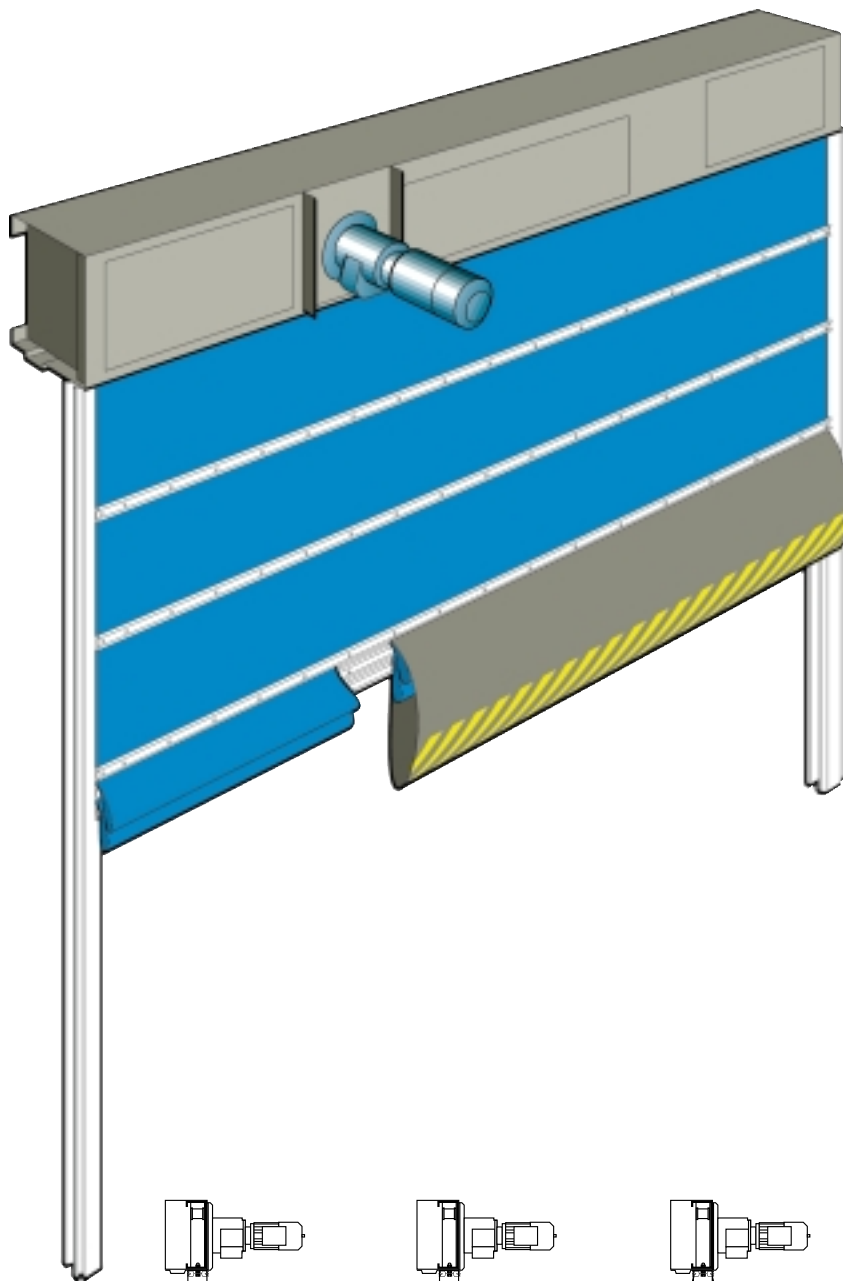
For Those Forklift Jockeys Who Always Hope the Door Will Be Out of the Way.



Megadoor introduces an exciting, new concept in high-performance doors for commercial and industrial applications. The Megadoor Flex-Away™ door operates smoothly and rapidly. In the event of impact, there is no resetting required, there are no flying objects or components, there is no downtime, the door operates immediately after impact, and there are no solid parts to damage other equipment if impact occurs at the bottom two feet of the door. And, additionally, the Megadoor Flex-Away is virtually maintenance free.



MEGADOOR®



Features

- No Resetting Required**
- Flexible, No Break Away Parts**
- No Downtime**
- Operates Immediately After Impact**
- Can be Retrofitted to Existing Megadoors**
- Resistant to High Windloads**
- Resistant to Negative Pressure**

Specifications

Flex-Away™ Fabric Panel with Yellow and Black Safety Stripe

Requires Additional Headroom (Approximately 2 feet)

Safety

Doesn't Break Away from Opening Upon Impact, Eliminating Flying Parts.

Options

Pull-Up Cord
(If adequate headroom is not available)

Applications

High-Traffic Areas



665 Highway 74 South • P.O. BOX 2957
Peachtree City, Georgia 30269
(770) 631-2600 • (800) 927-6342
FAX: (770) 631-9086
www.megadoor.com