



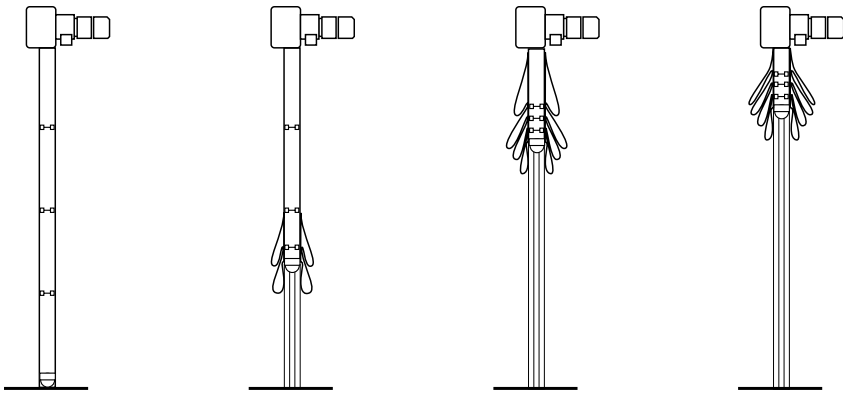
# A competitively priced version of the legendary, go anywhere, under any conditions MEGADOOR



The MEGADOOR 800RS Door is priced like a rolling steel door but maintains the dependability and durability expected from MEGADOOR. Some industrial applications do not require all the “bells and whistles” included with the standard MEGADOOR so the 800RS was developed to provide a lower cost, low maintenance door, that can operate in dirty, grimy or corrosive environments or in any opening in need of a reliable door - it

even operates if damaged. The door is able to meet these requirements because the basic structure of all MEGADOOR's is the same, in fact, the biggest structural difference is the location of the control panel inside the header. MEGADOOR is now a practical choice and value for more applications.





### Included in Base Price

- Control panel pre-wired and mounted inside the header box.
- Single speed motor by Nord Gear.
- One year warranty on parts and labor.
- Constant pressure to close (reversing safety edge not included).
- Header box cover on inside and outside.
- Manual operation via hand crank on motor fan.
- Designed for 500,000 cycles



### Available Options

- Fused disconnect required by others
- Motor cover
- Reversing safety edge
- Two speed motor
- Side jambs
- Self supporting header box
- Vision panels
- Flex-away
- Safety photo eye
- Radio control
- UL/CSA rating

**800**  
**RS**

 **MEGADOOR**®

665 Highway 74 South • P. O. Box 2957  
 Peachtree City, GA 30269  
 (800) 927-6342  
 (770) 631-2600  
 fax (770) 631-9086  
 e-mail - sales@megadoor.com  
 www.megadoor.com